

KSTAR

UPS Solution

Robust Transformer-based
UPS Series
(1~800kVA)



KSTAR Overview

Founded in 1993 and listed on the Shenzhen Stock Exchange in 2010, KSTAR has specialized in the research, development, and manufacturing of **UPS, Precision Air Conditioner and Modular Data Center, Battery, PV Inverter, Energy Storage, and EV Charger** for over 30 years. It is a leading provider of comprehensive solutions in the smart energy sector.



—
1993

Founded in

—
2010

Listed in

—
4300+

Employees

—
2

R&D Centers

—
8

Manufacturing Bases

—
180+

Countries and Regions



Market Achievement



Global UPS Manufacturer



The Valve-regulated Sealed Lead-acid Battery Products Ranked First in the Chinese Mainland Market in 2024-2025



Five Automatic Production Lines
The Annual Production Capacity is 3 Million kVAh



Cumulative Sales Reached 55 Million Units
A Large-scale National Industry System
National Unified Selection

Source: Omdia's "UPS Hardware Annual Tracker 2025"
2024-2025 Annual Report on China's UPS Battery Market (ICT Research)

★	Robust Transformer-based UPS Series	
1	GP800 Series (1~20kVA)	05
2	MASTER Series (6~40kVA)	07
3	EPI Series (8~40kVA)	09
4	EPOWER Series (10~800kVA)	11
5	EPOWER-L Series (10~160kVA)	15
6	EPOWER-H Series (10 ~ 600kVA)	17



High Reliability Design

- ◆ Double Conversion on-line design, which makes the output a pure sine wave source with tracking frequency, phase-lock and voltage regulation, low distortion and without power fluctuation interference, providing the load with more comprehensive protection

Battery Cold Start Function

- ◆ The UPS can be start directly by battery group when no utility access in, which meets the emergent needs of user
- ◆ Strong cold start ability, which can do the cold start operation when full load

Wide Input Range

- ◆ Wide input voltage range up to: 165~275Vac , avoid frequently switching to battery mode, which adapt to the areas with harsh environment
- ◆ Wide input frequency range, ensure all types of fuel generators connected work stable

Optimization of High-performance Battery

- ◆ Advanced floating switching and charging technology maximums the activation of the battery, thus saves the charging time and extends the battery life

Strong Protection for Load

- ◆ Built-in isolation transformer, strong anti-interference ability, provides more comprehensive protection

Comprehensive and Reliable Protection

- ◆ Self-diagnosis function before start-up, avoid the risks that the failure may lead to
- ◆ The multi-protections such as overload, short-circuit, over-temperature, battery under voltage, battery over-charge and so on greatly ensure the system stability and reliability
- ◆ Built-in static electronic bypass switch, when UPS fails, it can transfer to bypass mode and continue to provide power for load by AC
- ◆ DC start function The UPS can be started directly without AC , which meet the emergent needs of the user

User-friendly Network Management

- ◆ Communication with computer can be realized by RS232 with corresponding monitoring software. The various parameters can be shown on the communication interface
- ◆ External is optional The UPS with remote network management capability can provide real-time data for communication and management through a variety of network management systems

Technical Specifications

MODEL	GP801	GP802	GP803	GP804	GP806	GP808	GP810	GP812	GP815	GP820	
Capacity (kVA/kW)	1/0.8	2/1.6	3/2.4	4/3.2	6/4.8	8/6.4	10/8	12/9.6	15/12	20/16	
INPUT											
Nominal Voltage (Vac)	220/230										
Operating Voltage Range (Vac)	165~275										
Operating Frequency Range (Hz)	50/60 (±5%)										
Power Factor	≥0.97 *										
OUTPUT											
Output Voltage (Vac)	220 (±0.5%)/230 (±0.5%)										
Output Frequency (Hz)	50/60 (±0.5%)										
Crest Factor	3:1 (Max)										
Efficiency	Up to 82%			Up to 84%			Up to 85%				
Harmonic Distortion (THDv)	≤2% (Linear load)										
BATTERY											
Battery Voltage (Vdc)	48 or 192				192						
SYSTEM FEATURES											
Transfer Time (ms)	0 (Line mode → Battery mode)										
Overload	110%≤Load≤150%/1min; >150%/200ms, to Bypass										
Communication Interface	RS232, RS485 (Optional), EPO (Optional), Dry contact (Optional), SNMP (Optional)										
ENVIRONMENTAL											
Operating Temperature (°C)	0~40										
Storage Temperature (°C)	-25~55										
Humidity Range	0~95% (Non-condensing)										
Altitude (m)	<1500										
Noise Level (dB)	<60							<65			
PHYSICAL											
Dimension W×D×H (mm)	230×580×720 (S)/250×500×635 (H)					305×655×864 (S) 250×500×635 (H)		305×585×864			
Net Weight (kg)	80/32 (S/H)	85/36 (S/H)	99/40 (S/H)	102/45 (S/H)	108/50 (S/H)	110/60 (S/H)	115/65 (S/H)	115	130	145	
Shipping Weight (kg)	88/40 (S/H)	93/44 (S/H)	107/48 (S/H)	110/53 (S/H)	116/58 (S/H)	118/68 (S/H)	123/73 (S/H)	125	140	155	
STANDARDS											
Safety	IEC/EN 62040-1; IEC 62477-1										
EMC	IEC/EN 62040-2 (IEC 61000-4-2, IEC 61000-4-3, IEC 61000-4-4, IEC 61000-4-5, IEC 61000-4-6, IEC 61000-4-8, IEC 61000-4-11, IEC 61000-2-2)										
Performance	IEC/EN 62040-3										

* With optional filter

1. Specifications are subject to change without prior notice

2. Data above are typical values for reference only, not as a basis for engineering design

6~40kVA

3:1 Phase PF: 0.8



High Reliability Design

- ◆ Double Conversion on-line design, which makes the output a pure sine wave source with tracking frequency, phase-lock and voltage regulation, low distortion and without power fluctuation interference, providing the load with more comprehensive protection

Battery Cold Start Function

- ◆ The UPS can be start directly by battery group when no utility access in, which meets the emergent needs of user.
- ◆ Strong cold start ability, which can do the cold start operation when full load

Wide Input Range

- ◆ Wide input voltage range up to: 304~456Vac, avoid frequently switching to battery mode, which adapt to the areas with harsh environment
- ◆ Wide input frequency range, ensure all types of fuel generators connected work stable

Optimization of High-performance Battery

- ◆ Adapt intelligent battery management (ABM) technology, thus extending battery life and reducing battery maintenance times
- ◆ Advanced floating switching and charging technology maximums the activation of the battery, thus saves the charging time and extends the battery life

Strong Protection for Load

- ◆ Built-in isolation transformer, strong anti-interference ability, provides more comprehensive protection

Comprehensive and Reliable Protection

- ◆ Self-diagnosis function before start-up, avoid the risks that maybe lead to the failure
- ◆ The multi-protections such as overload, short-circuit, over-temperature, battery under voltage, battery over-charge and so on greatly ensure the system stability and reliability
- ◆ Advanced phase-locked synchronization technology and dual electronic static output switches, ensure the switching operation between bypass and inverter without any disturbance. When UPS fails, it can transfer to bypass without interruption to provide AC power to load and provide the alarm information as well
- ◆ DC start function. The UPS can be started directly without AC, which meet the emergent needs of the user



User-friendly Network Management

- ◆ Chinese and English language selectable via LCD panel
- ◆ RS232 communication interface
- ◆ RS485 communication interface (Support ModBus protocol)
- ◆ SNMP card (Optional)
- ◆ Events log can be record in the LCD panel
- ◆ Dry contact signal port are available

Technical Specifications

MODEL	M6K	M8K	M10K	M15K	M20K	M30K	M40K
Capacity (kVA/kW)	6/4.8	8/6.4	10/8	15/12	20/16	30/24	40/32
INPUT							
Operating Voltage Range (Vac)	380/400 (±20%), (3Ph + N + PE)						
Operating Frequency Range (Hz)	50/60 (±5%)						
Power Factor	≥0.97 *						
OUTPUT							
Output Voltage (Vac)	220 (±0.5%)/230 (±0.5%)						
Output Frequency (Hz)	50/60 (±0.5%)						
Efficiency	Up to 86%				Up to 88%		
Harmonic Distortion (THDv)	≤2% (Linear load)						
Crest Factor	3:1 (Max)						
BATTERY							
Battery Voltage (Vdc)	192				240		
SYSTEM FEATURES							
Transfer Time (ms)	0 (Line mode → Battery mode)						
Overload	110%≤Load≤150%/1min; >150%/200ms, to Bypass						
LED Display	Battery low, Mains status, Inverter, Bypass, UPS failure, Overload						
LCD Display	I/O voltage, Frequency, Battery voltage, Load percentage, Internal temperature						
Communication Interface	RS232, RS485, EPO, Dry contact, SNMP (Optional)						
ENVIRONMENTAL							
Operating Temperature (°C)	0~40						
Storage Temperature (°C)	-25~55						
Humidity Range	0~95% (Non-condensing)						
Altitude (m)	<1500						
Noise Level (dB)	<60				<65		
PHYSICAL							
Dimension W×D×H (mm)	305×585×864				350×650×1050		
Net Weight (kg)	100	110	115	130	145	205	255
Shipping Weight (kg)	110	120	125	140	155	220	270
STANDARDS							
Safety	IEC/EN 62040-1; IEC 62477-1						
EMC	IEC/EN 62040-2 (IEC 61000-4-2, IEC 61000-4-3, IEC 61000-4-4, IEC 61000-4-5, IEC 61000-4-6, IEC 61000-4-8, IEC 61000-4-11, IEC 61000-2-2)						
Performance	IEC/EN 62040-3						

* With optional filter

1. Specifications are subject to change without prior notice
2. Data above are typical values for reference only, not as a basis for engineering design

EPI Series

8~40kVA

3:1 Phase PF: 0.8



High Reliability Design

- ◆ Double Conversion on-line design, which makes the output a pure sine wave source with tracking frequency, phase-lock and voltage regulation, noise suppression, and without power fluctuation interference, providing the load with more comprehensive protection
- ◆ Zero transfer time of output, satisfies high standard power requirements of precision equipment
- ◆ Modular design and dual-CPU control, high reliability and stability ensure the safe operation and high efficiency

Optimization of High-performance Battery

- ◆ Adapt intelligent battery management (ABM) technology, thus it extends battery life and reduces battery maintenance times
- ◆ Advanced CC (Constant current)/CV (Constant voltage) auto-conversion charging technology maximizes the activation of cells, thus it saves the charging time and extending the battery life

Strong Redundancy/Parallel Ability

- ◆ Some units can be directly connected in parallel, increasing the scalability of the system
- ◆ The parallel system can share a group of backup battery
- ◆ Non-fixed Master-Slave relationship: Among several UPS in parallel, the unit startup first is Master UPS, the others are Slave UPS. The master and slave can be exchanged. If the inverter of one UPS fails, the UPS will automatically cut off the output, then the load will be powered by remained UPS

Comprehensive and Reliable Protection

- ◆ Self-diagnosis function before start-up, avoid the risks that maybe lead to the failure
- ◆ The multi-protections such as overload, short-circuit, over-temperature, battery under voltage, battery over-charge and so on greatly ensure the system stability and reliability

High Reliability During Operation

- ◆ Pure online static bypass technology, provides a strong protection against overload and fault
- ◆ Built-in manual maintenance bypass, further improves the reliability of continuous operation

Wide Input Range

- ◆ The range of AC input voltage is $380V \pm 20\%$, thereby it reduces the battery using frequency and greatly extending the battery life
- ◆ Wide input frequency range, ensure all types of fuel generators connected work stable



User-friendly Network Management

- ◆ Chinese and English language selectable via LCD panel
- ◆ RS232 communication interface
- ◆ RS485 communication interface (Support ModBus protocol)
- ◆ SNMP card (Optional)
- ◆ Events log can be record in the LCD panel
- ◆ Dry contact signal port are available

Technical Specifications

MODEL	EPI 8K	EPI 10K	EPI 15K	EPI 20K	EPI 30K	EPI 40K
Capacity (kVA/kW)	8/6.4	10/8	15/12	20/16	3/24	40/32
INPUT						
Operating Voltage Range (Vac)	380/400 (±20%), (3Ph+N+PE)					
Operating Frequency Range (Hz)	50/60 (±5%)					
Power Factor	≥0.97 *					
OUTPUT						
Output Voltage (Vac)	220 (±1%)					
Output Frequency (Hz)	50/60 (±0.5%)					
Crest Factor	3:1 (Max)					
Efficiency	Up to 86%			Up to 88%		
Harmonic Distortion (THDv)	≤2% (Linear load)					
BATTERY						
Battery Voltage (Vdc)	192			240		
SYSTEM FEATURES						
Transfer Time (ms)	0 (Line mode → Battery mode)					
Overload	110% ≤Load≤150%/1min; >150%/200ms, to Bypass					
LED Display	Low battery voltage, Mains status, Inverter, Bypass, UPS failure, Overload					
LCD Display	I/O voltage, Frequency, Battery voltage, Load percentage, Internal temperature					
Communication Interface	RS232, RS485, EPO, Dry contact, SNMP (Optional)					
ENVIRONMENTAL						
Operating Temperature (°C)	0~40					
Storage Temperature (°C)	-25~55					
Humidity Range	0~95% (Non-condensing)					
Altitude (m)	<1500					
Noise Level (dB)	<60			<65		
PHYSICAL						
Dimension W×D×H (mm)	305×585×864			350×650×1050		
Net Weight (kg)	110	115	130	145	205	255
Shipping Weight (kg)	120	125	140	155	220	270
STANDARDS						
Safety	IEC/EN 62040-1; IEC 62477-1					
EMC	IEC/EN 62040-2 (IEC 61000-4-2, IEC 61000-4-3, IEC 61000-4-4, IEC 61000-4-5, IEC 61000-4-6, IEC 61000-4-8, IEC 61000-4-11, IEC 61000-2-2)					
Performance	IEC/EN 62040-3					

* With optional filter

1. Specifications are subject to change without prior notice
2. Data above are typical values for reference only, not as a basis for engineering design



Online Double Conversion

- ◆ Online Double Conversion design helps to output a pure sine wave, which is immune from the UPS input, so that the load can run steadily
- ◆ UPS transfers among different working mode without output interruption, thereby powering the load uninterruptedly

Full DSP Control

- ◆ Double DSP control makes the whole system more stable and reliable

High Power Factor

- ◆ The output power factor up to 0.9 better matches the load
- ◆ The input power factor 0.97 with filter helps to improve the efficiency, reduce the harmonic pollution to the Grid and lower the UPS running cost

N+X Parallel Redundancy

- ◆ N+X parallel redundant design, up to 6 units available, makes the configuration more flexible
- ◆ Any unit in parallel system fails, the faulty one will automatically cut off the output, and the load will be powered by the remained units
- ◆ It is easy to configure the parallel system just by connecting the parallel cables and doing proper settings
- ◆ Non-fixed Master-Slave relationship: Among several UPS in parallel, the unit startup first is Master UPS, the others are Slave. The master and slave may be exchanged

Wide Input Adaptability

- ◆ The range of AC input voltage is (380/400/415Vac) (-25%/+20%), minimizing transfer to battery mode, thereby greatly prolonging the battery life
- ◆ Wide input frequency ranging from 45Hz to 65Hz, ensures stability of UPS while generator connected

 **Optimized Battery Management**

- ◆ Intelligent battery management system and advanced battery auto float/boost charge technology, reduces the frequency of battery maintenance, greatly improves the battery efficiency and extends battery life
- ◆ Battery discharge time prediction: The system will display the backup time of battery calculated by discharge current and voltage
- ◆ Battery self-test: Battery is automatically tested at regular intervals
- ◆ Flexible battery voltage configuration

 **Power Walk In**

- ◆ Specially designed power walk in function, in which rectifier of each unit in parallel system will be turned on in sequence at intervals to avoid the sudden load on the generator, thereby reducing the cost of the generator required

 **Generator Mode**

- ◆ Set the maximum output power of the generator when a smaller one than needed is employed to extend the battery duration time. In this case, the load is supplied by both the generator and battery

 **LBS Synchronization**

- ◆ Synchronize the output of the two independent UPS systems (Single unit or parallel) even when the two systems are operating on different modes (Bypass/Inverter) or on battery

 **Multi-protection**

- ◆ Self-diagnosis function will take place before start-up for safety
- ◆ Multi-protection: AC input under/over voltage, overload, short-circuit, over-current, over bus voltage, over-temperature, fan failure, auxiliary power failure, battery under voltage, battery over-charge and so on

 **EPO Function**

- ◆ A concave red EPO button with transparent cover is embodied in the LCD control panel for emergency power off

 **User-friendly Network Management**

- ◆ Chinese/English LCD and LED mimic diagram: Real time operation parameters and status (7 inch touch screen optional)
- ◆ RS232 & RS485 communication ports: For local monitor with corresponding software, both can support MODBUS rotocol
- ◆ SNMP adapter (Optional): For remote monitor through network
- ◆ Dry contacts (10-160kVA optional) for additional monitoring:
 - a) UPS on Inverter
 - b) Mains input failure
 - c) Remote EPO
 - d) Battery low voltage alarm
 - e) UPS fault
 - f) UPS alarm
 - g) UPS on battery
 - h) UPS on bypass
 Note : d)--h) optional

Technical Specifications

MODEL	EP10	EP20	EP30	EP40	EP60	EP80	EP100	EP120	EP160	
Capacity (kVA/KW)	10/9	20/18	30/27	40/36	60/54	80/72	100/90	120/108	160/144	
INPUT										
Operating Voltage Range (Vac)	380/400/415 (-25%/ + 20%), (3Ph + PE)									
Operating Frequency Range (Hz)	50/60 (±5%)									
Power Factor	≥0.97 *									
OUTPUT										
Output Voltage (Vac)	380/400/415 (±1%), (3Ph+N+PE)									
Output Frequency (Hz)	50/60 (±0.05%)									
Harmonic Distortion (THDv)	≤2% (Linear load)					≤1% (Linear load)				
Crest Factor	3:1 (Max)									
Efficiency	Up to 88%	Up to 89%	Up to 90%	Up to 90.5%	Up to 92%	Up to 92.5%				
BYPASS										
Rated Voltage	380/400/415, (3Ph + N + PE)									
Rated Frequency	50/60									
Voltage Protection Range	Upper limit: +20% (+10%, +15%, +20% adjustable) Lower limit: -40% (-10%, -20%, -30%, -40% adjustable)									
Frequency Protection Range	±10% (±2.5%, ±5%, ±10%, ±20% adjustable)									
BATTERY										
Battery voltage (Vdc)	384 (360~384)									
SYSTEM FEATURES										
Transfer Time (ms)	0 (Line mode→ Battery mode)									
Overload	Load≤110%/60min; ≤125%/10mins; ≤150%/1min, to Bypass									
LED Display	Input, Inverter, Bypass, Battery, Output, Status									
LCD Display	I/O voltage, frequency, power, power factor, battery voltage, current, battery status, load percentage, UPS status, history record									
Communication Interface	RS232, RS485, EPO, Dry contact (Optional), SNMP card (Optional)									
Optional	Harmonic filter, SNMP adapter, LBS cables, battery temperature sensor, Bypass current-sharing inductor									
ENVIRONMENTAL										
Operating Temperature (°C)	0~40									
Storage Temperature (°C)	-25~55									
Humidity Range	0~95% (Non-condensing)									
Altitude (m)	<1500									
Noise Level (dB)	<58					<68				
PHYSICAL										
Dimension W×D×H (mm)	350×650×1050			430×830×1100		720×690×1400	720×690×1400 (6P) 1515×830×1600 (12P)	890×790×1600 (6P) 1515×830×1600 (12P)	890×790×1600 (6P) 1400×1000×1900 (12P)	890×790×1600 (6P) 1400×1000×1900 (12P)
Net Weight (kg)	145	165	204	255	320	450	556 (6P)/1300 (12P)	693 (6P)/1450 (12P)	780 (6P)/1645 (12P)	780 (6P)/1645 (12P)
Shipping Weight (kg)	160	180	225	280	345	485	591 (6P)/1370 (12P)	738 (6P)/1520 (12P)	825 (6P)/1775 (12P)	825 (6P)/1775 (12P)
STANDARDS										
Safety	IEC/EN 62040-1; IEC 62477-1									
EMC	IEC/EN 62040-2 (IEC 61000-4-2, IEC 61000-4-3, IEC 61000-4-4, IEC 61000-4-5, IEC 61000-4-6, IEC 61000-4-8, IEC 61000-4-11, IEC 61000-2-2)									
Performance	IEC/EN 62040-3									

* With optional filter

1. Specifications are subject to change without prior notice
2. Data above are typical values for reference only, not as a basis for engineering design

Technical Specifications

MODEL	EP200	EP300	EP400	EP500-12P	EP600-12P	EP800-12P
Capacity (kVA/KW)	200/180	300/270	400/360	500/450	600/540	800/720
INPUT						
Operating Voltage Range (Vac)	380/400/415 (-25%/+20%), (3Ph+PE)					
Operating Frequency Range (Hz)	50/60 (±5%)					
Power Factor	≥0.97 *					
OUTPUT						
Output Voltage (Vac)	380/400/415 (±1%), (3Ph+N+PE)					
Output Frequency (Hz)	50/60 (±0.05%)					
Harmonic Distortion (THDv)	≤1% (Linear load)					
Crest Factor	3:1 (Max)					
Efficiency	Up to 92.5%	Up to 93%		Up to 93.5%		Up to 94%
BYPASS						
Rated Voltage (Vac)	380/400/415, (3Ph+N+PE)					
Rated Frequency (Hz)	50/60					
Voltage Protection Range	Upper limit: +20% (+10%, +15%, +20% adjustable) Lower limit: -40% (-10%, -20%, -30%, -40% adjustable)					
Frequency Protection Range	±10% (±2.5%, ±5%, ±10%, ±20% adjustable)					
BATTERY						
Battery Voltage (Vdc)	384 (360~408)			480	600	
SYSTEM FEATURES						
Transfer Time (ms)	0 (Line mode → Battery mode)					
Overload	Load≤110%/60min; ≤125%/10mins; ≤150%/1min, to Bypass					
LED Display	Input, Inverter, Bypass, Battery, Output, Status					
LCD Display	I/O voltage, frequency, power, power factor, battery voltage, current, battery status, load percentage, UPS status, history record, settings					
Communication Interface	RS232, RS485, EPO, Dry contact, SNMP card (Optional)					
Optional	Harmonic filter, SNMP adapter, LBS cables, battery temperature sensor, Bypass current-sharing inductor					
ENVIRONMENTAL						
Operating Temperature (°C)	0~40					
Storage Temperature (°C)	-25~55					
Humidity Range	0~95% (Non-condensing)					
Altitude (m)	<1500					
Noise Level (dB)	<72			<75		
PHYSICAL						
Dimension W×D×H (mm)	1200×800×1600 (6P) 1400×1000×1900 (12P)	1400×1000×1900 (6P) 1640×1000×1900 (12P)		2580×1000×1900	2800×1040×1900	3280×1040×1900
Net Weight (kg)	1030 (6P)/1715 (12P)	1560 (6P)/2395 (12P)	1640 (6P)/2510 (12P)	3510	3950	4950
Shipping Weight (kg)	1130 (6P)/1845 (12P)	1690 (6P)/2545 (12P)	1770 (6P)/2665 (12P)	3730	4250	5245
STANDARDS						
Safety	IEC/EN 62040-1; IEC 62477-1					
EMC	IEC/EN 62040-2 (IEC 61000-4-2, IEC 61000-4-3, IEC 61000-4-4, IEC 61000-4-5, IEC 61000-4-6, IEC 61000-4-8, IEC 61000-4-11, IEC 61000-2-2)					
Performance	IEC/EN 62040-3					

* With optional filter

1. Specifications are subject to change without prior notice
2. Data above are typical values for reference only, not as a basis for engineering design



Online Double Conversion

- ◆ Online Double Conversion design helps to output a pure sine wave, which is immune from the UPS input, so that the load can run steadily
- ◆ UPS transfers among different working mode without output interruption, thereby powering the load uninterruptedly

Wide Input Range

- ◆ The range of AC input voltage is (380/400/415Vac) (-25%/+20%), minimizing transfer to battery mode, thereby greatly prolonging the battery life
- ◆ Wide input frequency ranging from 45Hz to 65Hz, ensures stability of UPS while generator connected

Optimized Battery Management

- ◆ Intelligent battery management system and advanced battery auto float/boost charge technology, reduces the frequency of battery maintenance, greatly improves the battery efficiency and extends battery life
- ◆ Battery self-test: Battery is automatically tested at regular intervals
- ◆ Flexible battery configuration ranging from 360-384Vdc

Full DSP Control

- ◆ Double DSP control makes the whole system more stable and reliable

Power Walk In

- ◆ Specially designed power walk in function, in which rectifier of each unit in parallel system will be turned on in sequence at intervals to avoid the sudden load on the generator, thereby reducing the cost of the generator required

Generator Mode

- ◆ Set the maximum output power of the generator when a smaller one than needed is employed to extend the battery duration time. In this case, the load is supplied by both the generator and battery

LBS Synchronization

- ◆ Synchronize the output of the two independent UPS systems (Single unit or parallel) even when the two systems are operating on different modes (Bypass/Inverter) or on battery

Multi-protection

- ◆ Self-diagnosis function will take place before start-up for safety
- ◆ Multi-protection: AC input under/over voltage, overload, short-circuit, over-current, over bus voltage, over-temperature, fan failure, auxiliary power failure, battery under voltage, battery over-charge and so on

N+X Parallel Redundancy

- N+X parallel redundant design, up to 6 units available, makes the configuration more flexible
Any unit in parallel system fails, the faulty one will automatically cut off the output, and the load will be powered by the remained units
- It is easy to configure the parallel system just by connecting the parallel cables and doing proper settings
- Non-fixed Master-Slave relationship: Among several UPS in parallel, the unit startup first is Master UPS, the others are Slave. The master and slave may be exchanged



User-friendly Network Management

- Chinese/English LCD and LED mimic diagram: real time operation parameters and status (7 inch touch screen optional)
- RS232 & RS485 communication ports: For local monitor with corresponding software, both can support MODBUS protocol
- SNMP adapter (Optional): For remote monitor through network
- Dry contacts (Optional): For additional monitoring

Technical Specifications

MODEL	EP10-L	EP20-L	EP30-L	EP40-L	EP60-L	EP80-L	EP100-L	EP120-L	EP160-L	
Capacity (kVA/kW)	10/8	20/16	30/24	40/32	60/48	80/64	100/80	120/96	160/128	
INPUT										
Operating Voltage Range (Vac)	380/400/415Vac (-25%/ +20%), (3Ph + PE)									
Operating Frequency Range (Hz)	50/60Hz (±5%)									
Power factor	≥0.97 *									
OUTPUT										
Output Voltage (Vac)	380/400/415Vac (±1%), (3Ph + N + PE)									
Output Frequency (Hz)	50/60Hz (±0.05%)									
Harmonic Distortion (THDv)	≤2% (Linear load)									
Crest Factor	3:1 (Max)									
Efficiency	Up to 88%	Up to 89%	Up to 90%	Up to 90.5%	Up to 92%	Up to 92.5%	Up to 92.5%	Up to 92.5%	Up to 92.5%	
BYPASS										
Rated Voltage (Vac)	380/400/415Vac, (3Ph + N + PE)									
Rated Frequency (Hz)	50/60Hz									
Voltage Protection Range	Upper limit: +20% (+10%, +15%, +20% adjustable) Lower limit: -40% (-10%, -20%, -30%, -40% adjustable)									
Frequency Protection Range	±10% (±2.5%, ±5%, ±10%, ±20% adjustable)									
BATTERY										
Battery Voltage (Vdc)	384Vdc (360~384Vdc)									
SYSTEM FEATURES										
Transfer Time (ms)	0 ms (Line mode → Battery mode)									
Overload	Load≤110%/60min; ≤125%/10mins; ≤150%/1min, to Bypass									
LED Display	Input, Inverter, Bypass, Battery, Output, Status									
LCD Display	I/O voltage, frequency, power, power factor, battery voltage, current, battery status, load percentage, UPS status, history record, settings									
Communication Interface	RS232, RS485, EPO, Dry contact (Optional), SNMP card (Optional)									
Optional	Harmonic filter, SNMP adapter, LBS cables, battery temperature sensor, Bypass current-sharing inductor									
ENVIRONMENTAL										
Operating Temperature (mm)	0~40°C									
Storage Temperature (mm)	-25~55°C									
Humidity Range	0~95% (Non-condensing)									
Altitude (mm)	<1500m									
Noise Level (mm)	<58dB				<68dB					
PHYSICAL										
Dimension W×D×H (mm)	350×650×1050			430×830×1100			720×690×1400		890×790×1600	
Net weight (kg)	145	155	190	242	315	365	420	635	740	
Shipping weight (kg)	160	170	215	267	340	400	455	680	785	
STANDARDS										
Safety	IEC/EN 62040-1; IEC 62477-1									
EMC	IEC/EN 62040-2 (IEC 61000-4-2, IEC 61000-4-3, IEC 61000-4-4, IEC 61000-4-5, IEC 61000-4-6, IEC 61000-4-8, IEC 61000-4-11, IEC 61000-2-2)									
Performance	IEC/EN 62040-3									

* With optional filter

1. Specifications are subject to change without prior notice
2. Data above are typical values for reference only, not as a basis for engineering design

EPOWER-H Series

10~600kVA

3:3 Phase PF: 0.9



Operating Mode

- ◆ Adopt IGBT rectifier/inverter technology, output inverter isolation transformer, double-conversion online design, zero transfer time.

Full DSP Control

- ◆ Double DSP control makes the whole system more stable and reliable

Strong Environmental Adaptability

- ◆ Conformal coating, wide mains input range: 346~456vac, 45-65Hz, can work stably with various fuel generator.

Optimized Battery Management

- ◆ Intelligent battery management system, extend battery life; Auto float/boost charge technology, activates the battery maximally; Temperature compensation, discharging time prediction, timed self-testing function, etc.

N+X Parallel Redundancy

- ◆ N+X parallel redundancy design, up to 6 units available, two sets of UPS parallel current sharing less than 3%.

Smart and Friendly Human-machine Interface

- ◆ Standard 7-inch touch screen, displays the running status, working parameters and historical records of the machine; Chinese/English display; Intuitive LED flow chart.

Generator Mode

- ◆ Set the maximum output power of the generator when a smaller one than needed is employed to extend the battery duration time. In this case, the load is supplied by both the generator and battery

Multi-protection

- ◆ Self-diagnosis when startup, AC input over/under voltage, overcurrent, bus overvoltage, overheat, output overload, short-circuit, auxiliary power failure, battery undervoltage early warning and battery overcharge etc., make sure the system's stable and reliable operation.

EPO Function

- ◆ EPO emergency power off function.

Manual Maintenance Bypass Design

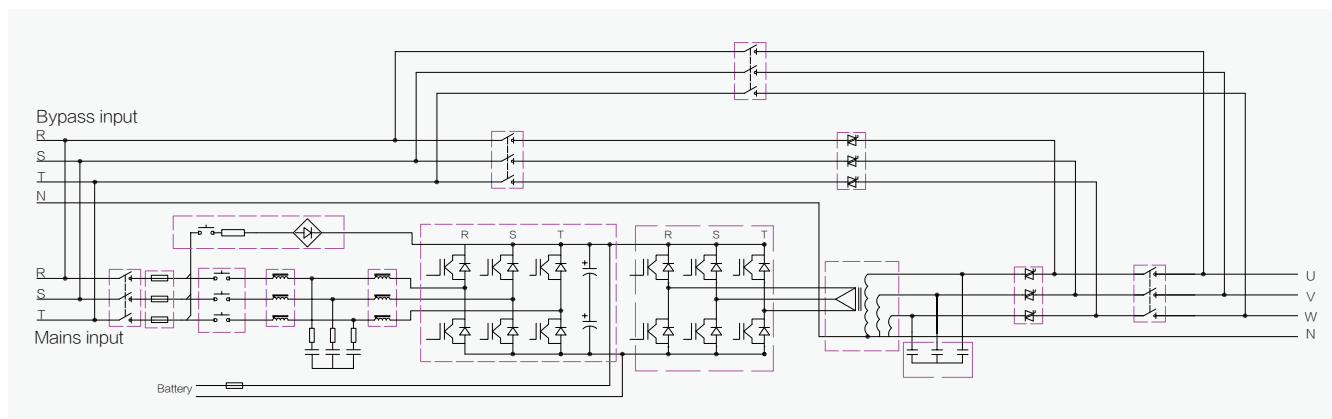
- ◆ Maintenance bypass passage, holds the power supply when maintenance.



Communication Port

- ◆ USB, RS485 (MODBUS), SNMP adapter (Optional), 6 dry contacts (Optional)

Topological Schematic



Technical Specifications

MODEL	EP10-H	EP20-H	EP30-H	EP40-H	EP60-H	EP80-H	EP100-H	EP120-H	EP160-H	
Capacity (kVA/kW)	10/9	20/18	30/27	40/36	60/54	80/72	100/90	120/108	160/144	
INPUT										
Nominal Voltage & Range (Vac)	380/400/415 (346~456), (3Ph+PE, without N)									
Frequency & Range (Hz)	50/60 (45~65)									
Power Factor	≥0.99									
Harmonic Distortion (THDi)	≤3%									
Power Walk-in	0-200s (Settable)									
BYPASS INPUT										
Voltage (Vac)	380/400/415, (3Ph+N+PE)									
Frequency Tolerance (Hz)	±2 (0.5, 1, 2, 3 settable)									
ECO Mode	Support									
OUTPUT										
Voltage (Vac)	380/400/415 (±1%), (3Ph+N+PE)									
Frequency (Hz)	50/60 (±0.05%)									
Voltage Regulation	≤1%									
Waveform	Pure Sinewave									
Harmonic Distortion (THDv)	≤2% (100% Linear load)						≤1% (100% Linear load)			
Frequency Tracking Speed (Hz/s)	0.5-2 settable; 2 when paralleling									
Bypass Transfer Time (ms)	0 (Inverter and bypass in synchronization) <15 (Inverter and bypass out of synchronization)									
Battery Transfer Time (ms)	0									
Efficiency (Max.)	Up to 88%	Up to 89%	Up to 90%	Up to 90.5%	Up to 90.5%	Up to 92%	Up to 92%	Up to 92.5%	Up to 92.5%	
Overload	105%~110%, 60min; 110%~125%, 10min; 125%~150%, 1min									
BATTERY										
Battery Voltage (Vdc)	600									
ENVIRONMENTAL										
Operating Temperature (°C)	0~40									
Storage Temperature (°C)	-25~55 (No battery)									
Humidity Range	0~95% (Non-condensing)									
Altitude (m)	<1500									
Noise level (dB)	<58				<68					
OTHERS										
Alarm Function	Output overload, utility abnormal, DC (Battery)low, UPS fault alarm & history, etc									
Protection Function	Short circuit, overload, over temperature, DC (Battery) low, output low voltage, fan fault alarm (Optional)									
Communication Function	USB, RS485, EPO, dry contact (Optional), SNMP card (Optional)									
Optional Accessory	SNMP adapter, battery temperature sensor, bypass current-sharing inductor									
PHYSICAL										
Dimension W×D×H (mm)	720×690×1400				890×775×1600			1200×800×1600		
Net Weight (kg)	270	300	340	360	560	630	700	950	1075	
Shipping Weight (kg)	300	335	375	395	605	675	745	1010	1145	
STANDARDS										
Safety	IEC/EN 62040-1; IEC/EN 62477-1									
EMC	IEC/EN 62040-2 (IEC 61000-2-2, IEC 61000-4-2, IEC 61000-4-3, IEC 61000-4-4, IEC 61000-4-5, IEC 61000-4-6, IEC 61000-4-8, IEC 61000-4-11)									

1. Specifications are subject to change without prior notice
2. Data above are typical values for reference only, not as a basis for engineering design

Technical Specifications

MODEL	EP200-H	EP300-H	EP400-H	EP500-H	EP600-H
Capacity (kVA/kW)	200/180	300/270	400/360	500/450	600/540
INPUT					
Nominal Voltage & Range (Vac)	380/400/415 (346~456), (3Ph+PE, without N)				
Frequency & Range (Hz)	50/60 (45~65)				
Power Factor	≥0.99				
Harmonic Distortion (THDi)	≤3%				
Power Walk-in	0-200s (Settable)				
BYPASS INPUT					
Voltage (Vac)	380/400/415, (3Ph+N+PE)				
Frequency Tolerance (Hz)	±2 (0.5, 1, 2, 3 settable)				
ECO Mode	Support				
OUTPUT					
Voltage (Vac)	380/400/415 (±1%), (3Ph+N+PE)				
Frequency (Hz)	50/60 (0.05%)				
Voltage Regulation	≤1%				
Waveform	Pure Sinewave				
Harmonic Distortion (THDv)	≤2% (100% Linear load)				
Frequency Tracking Speed (Hz/s)	0.5-2Hz/s settable; 2Hz/s when paralleling				
Bypass Transfer Time (ms)	0 (Inverter and bypass in synchronization) <15 (Inverter and bypass out of synchronization)				
Battery Transfer Time (ms)	0				
Efficiency (Max.)	Up to 92.5%	Up to 93%		Up to 93.5%	
Overload	105%~110%, 60min; 110%~125%, 10min; 125%~150%, 1min				
BATTERY					
Battery Voltage (Vdc)	600				
ENVIRONMENTAL					
Operating Temperature (°C)	0~40				
Storage Temperature (°C)	-20~55 (No battery)				
Humidity Range	20~95% (Non-condensing)				
Altitude (m)	<1500				
Noise Level (dB)	<70			<75	
OTHERS					
Alarm Function	Output overload, utility abnormal, DC (Battery)low, UPS fault alarm & history, etc				
Protection Function	Short circuit, overload, over temperature, DC (Battery) low, output low voltage, fan fault alarm (Optional)				
Communication Function	USB, RS485, EPO, dry contact (Optional), SNMP card (Optional)				
Optional Accessory	SNMP adapter, battery temperature sensor, bypass current-sharing inductor				
PHYSICAL					
Dimension W×D×H (mm)	1200×800×1600	1400×1000×1900		2580×1000×1900	
Net weight (kg)	1295	1820	1960	2820	3120
Shipping weight (kg)	1370	1920	2060	3020	3320
STANDARDS					
Safety	IEC/EN 62040-1; IEC/EN 62477-1				
EMC	IEC/EN 62040-2 (IEC 61000-2-2, IEC 61000-4-2, IEC 61000-4-3, IEC 61000-4-4, IEC 61000-4-5, IEC 61000-4-6, IEC 61000-4-8, IEC 61000-4-11)				

1. Specifications are subject to change without prior notice
2. Data above are typical values for reference only, not as a basis for engineering design

Sustainability Commitment



Pollutant Discharge Permit
(2016)



Authoritative System
Certification



Product Certification



1.5 million kW/h
Annual output of photovoltaic
power generation system



4.76 kg/a.
Total lead emission reduction of
lead fume purification system

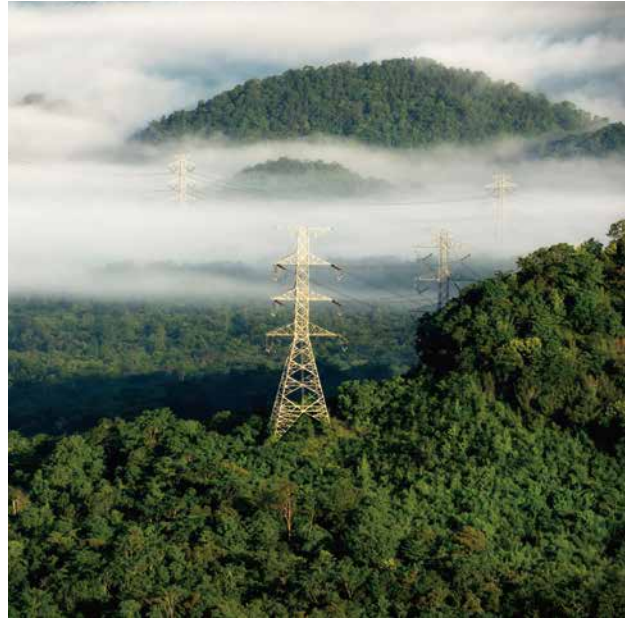


96.3%
Reuse rate of production water

Success Story



Beijing New Airport Eastern Airlines Base Project



State Grid Project



Core Data Center Project for a Major State-owned Bank's Headquarters



China Unicom Cloud Data Center Project

Success Story



JD Group Data Center UPS Project



Guangxi Medical University Second Affiliated Hospital Project



BYD Shenzhen&Shantou Plant 1 UPS Power Distribution Project



KL LRT/MRT Project, Malaysia

Our Solution

UPS Solution Transformer-less Memopower Series

1~40kVA



UPS Solution Transformer-less HPM3300E Series

30~1200kVA



UPS Solution Robust Transformer-based UPS Series

1~800kVA



Precision Cooling Series

5~300kW



Data Center Integrated Solution

IDU/IDM/IDB/IOU Series



Battery Series



UPS Solution Line Interactive UPS Series

400~3000VA



UPS Solution Transformer-less YDC3300 Series

10~200kVA



UPS Solution Transformer-less UL Products Series

1~100kVA



KSTAR



Website



Website: www.kstar.com



Tel: +86-755-86169858



Fax: +86-755-86168482



E-mail: sales@kstar.com

HEADQUARTERS

Add: 4 / F, No.1 Bldg. Software Park, Keji C. Rd. 2nd, Hi-Tech Industrial Zone, Shenzhen 518057, P.R.China

FACTORIES ADDRESS

Add: Kstar Industrial Park, Guangming High-tech Zone, Shenzhen

Add: Kstar Industrial Park, Zhongkai High-tech Zone, Huizhou, Guangdong

Add: Kstar Industrial Park, Fuyuan Industrial Zone, Guanlan, Shenzhen

Add: CATL-KSTAR Science and Technology Co., Ltd.

Add: Jiangxi Changxin Gold Sunshine Power Co., Ltd.

Add: Jiangsu Kstar Energy Technology Co., Ltd.

Add: KSTAR (Vietnam) Co., Ltd.